



# KLOPPENBERG

*Quality is the Best Buy*

## ISE Advantage

Ice Storage, Dispensing & Transportation Equipment



1665-SBB shown



**Toll Free Phone: 1-800-346-3246**

**Local Phone: (303) 761-1615**

**Fax: (303) 789-1741**

**E-mail: [sales@kloppenberg.com](mailto:sales@kloppenberg.com)**

**[www.kloppenberg.com](http://www.kloppenberg.com)**

10/21/2019

Printed in U.S.A.

Job \_\_\_\_\_

Item \_\_\_\_\_

## 60" Upright Bins

Model Number
1325
1665

### **FEATURES**

- Large opening for scoop dispensing
- Seamless polyethylene liner with coved corners
- 1 ½" foamed in-place polyurethane insulation
- Stainless steel baffle prevents ice overflow
- Adjustable feet
- Factory installed 1" IPS plastic drain
- Spring loaded door hinge
- Transparent view windows
- FOB origin on all freight unless pre-approved

### **ASSEMBLY REQUIRED**

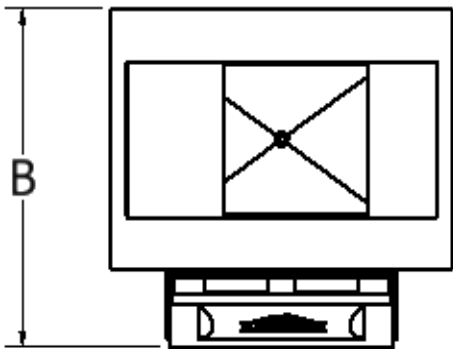
- Snout (tool-free)
- Feet

### **OPTIONS**

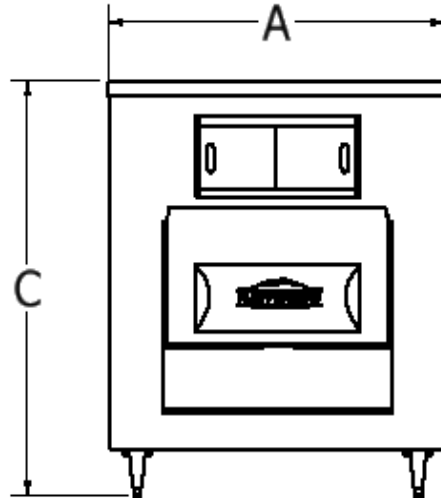
- Sleeves for additional capacity
- Private labeling
- Custom modifications

Model Number
1325
1665

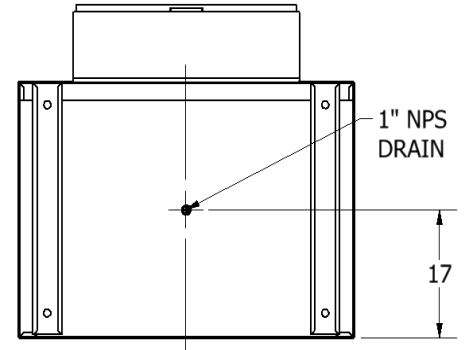
# 60" Upright Bins



TOP VIEW



FRONT VIEW



BOTTOM VIEW

Contact factory for details on CAD Symbols Library availability on this product

Model Number	Capacity lbs (kg)	A-Width in (mm)	B-Depth* in (mm)	C-Height in (mm)	Minimum Door Clearance	Ship Weight lbs (kg)
1325	1,471 (667)	60 (1,524)	44.5 (1,130)	55 (1,397)	34 (864)	340 (155)
1665	1,846 (837)	60 (1,524)	44.5 (1,130)	67 (1,727)	34 (864)	390 (177)

\*Includes 10.5" depth for snout

## OPTIONS:

- SBB—Stainless steel front, sides, back and bottom
- SS—Stainless steel front and sides only
- Standard stainless liner
- Fully welded stainless steel liner (coved corners)
- Prison Package
- Bullet or flanged feet

## AVAILABLE ACCESSORIES:

- Paddles
- Scoops
- Carts
- Bagging Kit
- Totes

Toll Free Phone: 1-800-346-3246 Local Phone: 303-761-1615 Fax: 303-789-1741

Email: [sales@kloppenbergl.com](mailto:sales@kloppenbergl.com)

Please send all PO's to [purchaseorders@kloppenbergl.com](mailto:purchaseorders@kloppenbergl.com)