



KLOPPENBERG

Quality is the Best Buy

ISE Advantage

Ice Storage, Dispensing & Transportation Equipment



965SBB shown



Toll Free Phone: 1-800-346-3246

Local Phone: (303) 761-1615

Fax: (303) 789-1741

E-mail: sales@kloppenberg.com

www.kloppenberg.com

Job _____
Item _____

36" Upright Bins

Model Number

965-SBB

FEATURES

- Large opening for scoop dispensing
- Full stainless steel—front, back, bottom, sides and liner
- 1 ½" foamed in-place polyurethane insulation
- Stainless steel baffle prevents ice overflow
- Adjustable feet
- Factory installed 1" IPS plastic drain
- Spring loaded door hinge
- Transparent view windows
- FOB origin on all freight unless pre-approved

ASSEMBLY REQUIRED

- Snout (tool-free)
- Feet

OPTIONS

- Sleeves for additional capacity
- Private labeling
- Custom modifications

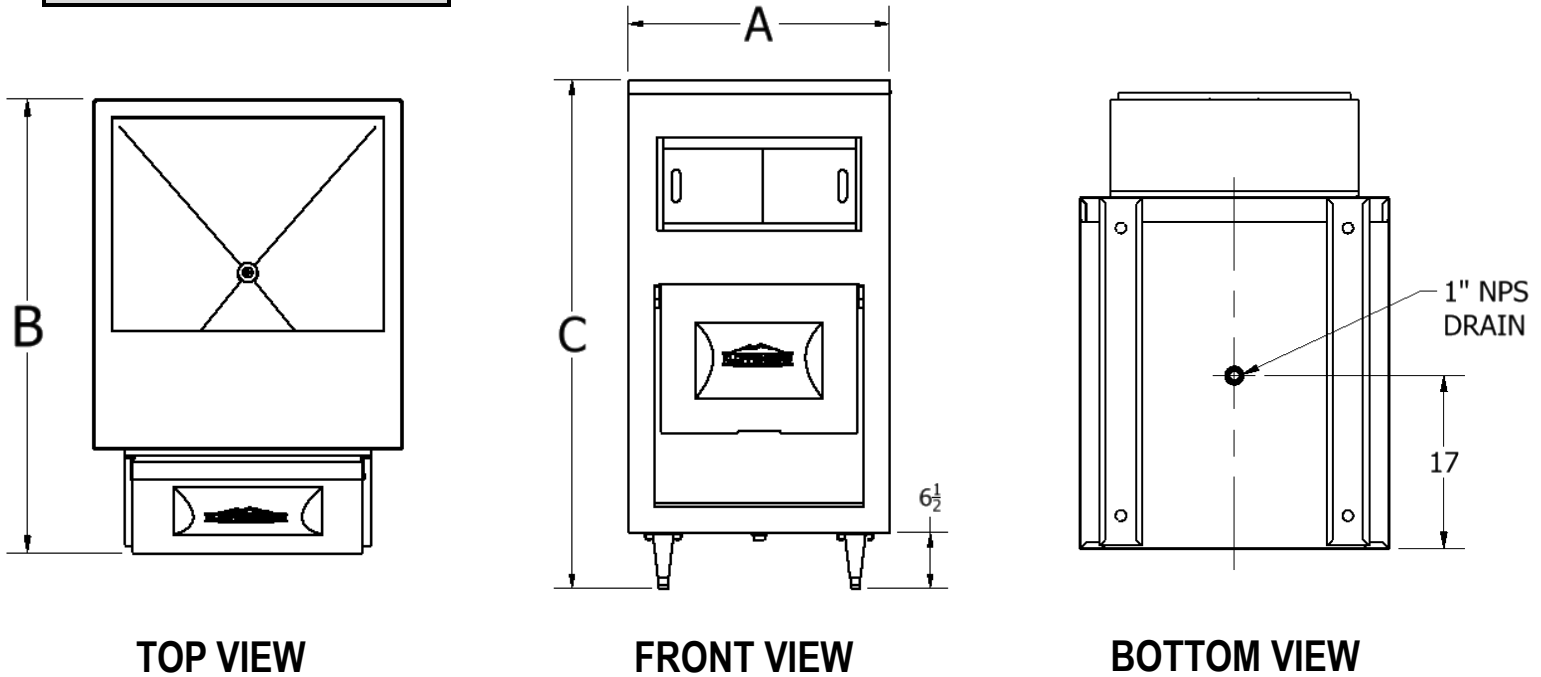
10/21/2019

Printed in U.S.A.

Model Number

965-SBB

36" Upright Bins



Contact factory for details on CAD Symbols Library availability on this product

Model Number	Capacity lbs (kg)	A-Width in (mm)	B-Depth* in (mm)	C-Height in (mm)	Minimum Door Clearance in (mm)	Ship Weight lbs (kg)
965-SBB	1,069 (486)	36 (914)	44.5 (1,130)	67 (1701)	34 (864)	341 (155)

*Includes 10.5" depth for snout

OPTIONS:

- Fully welded stainless steel liner (coved corners)
- Prison package
- Bullet or flanged feet

AVAILABLE ACCESSORIES:

- Paddles
- Scoops
- Carts
- Bagging Kit
- Totes

Toll Free Phone: 1-800-346-3246 Local Phone: 303-761-1615 Fax: 303-789-1741

Email: sales@kloppenber.com

Please send all PO's to purchaseorders@kloppenber.com

10/21/2019

Printed in U.S.A.