



Job _____
Item _____

ISE Advantage

Ice Storage, Dispensing & Transportation Equipment

30" Upright Bins



705SBB shown

Model Number
705
905

FEATURES

- Large opening for scoop dispensing
- Seamless polyethylene liner with coved corners
- 1 ½" foamed in-place polyurethane insulation
- Stainless steel baffle prevents ice overflow
- Adjustable feet
- Factory installed 1" IPS plastic drain
- Spring loaded door hinge
- Transparent view windows
- FOB origin on all freight unless pre-approved



ASSEMBLY REQUIRED

- Snout (tool-free)
- Feet

OPTIONS

- Sleeves for additional capacity
- Private labeling
- Custom modifications

Toll Free Phone: 1-800-346-3246

Local Phone: (303) 761-1615

Fax: (303) 789-1741

E-mail: sales@kloppenberg.com

www.kloppenberg.com

10/21/2019

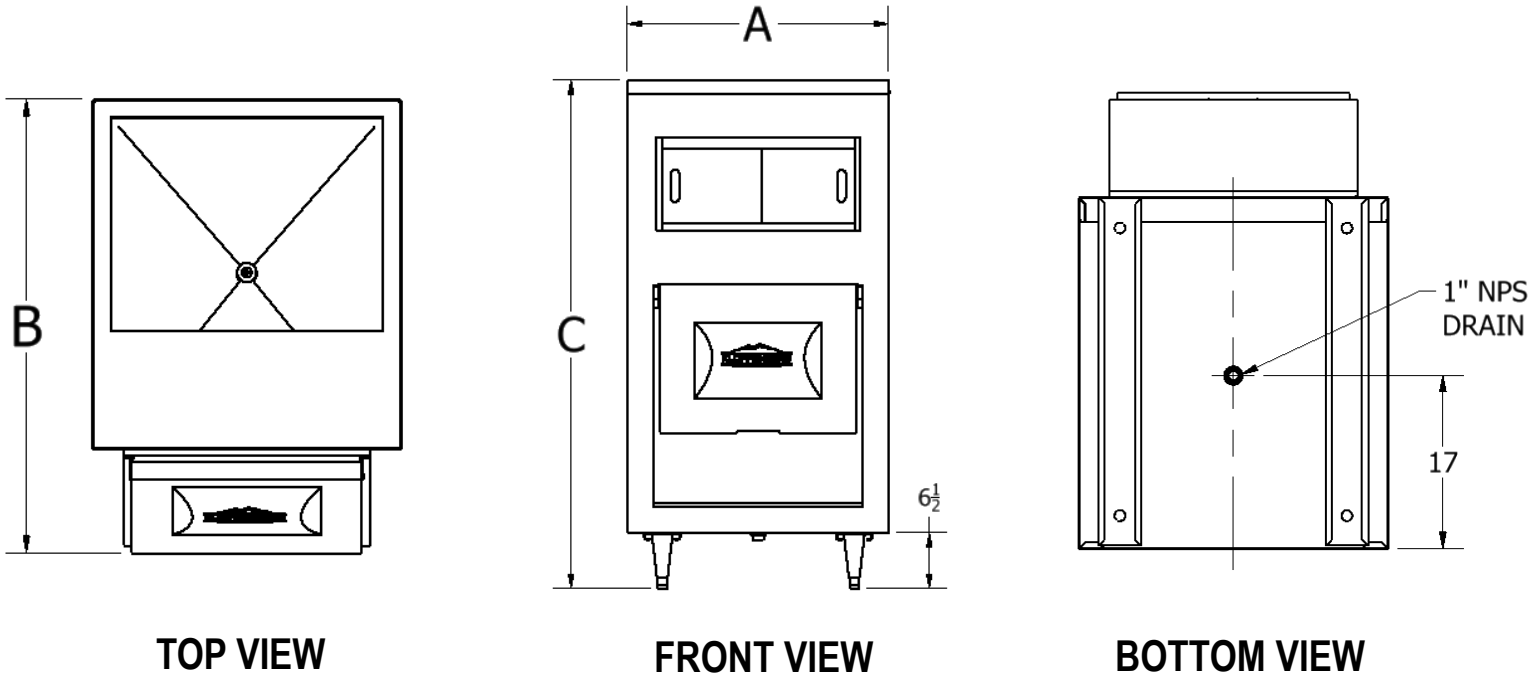
Printed in U.S.A.

Model Number

705

905

30" Upright Bins



Contact factory for details on CAD Symbols Library availability on this product

Model Number	Capacity lbs (kg)	A-Width in (mm)	B-Depth* in (mm)	C-Height in (mm)	Minimum Door Clearance in (mm)	Ship Weight lbs (kg)
705	741 (336)	30 (762)	44.5 (1,130)	58 (1,473)	30 (762)	255 (116)
905	1,023 (464)	30 (762)	44.5 (1,130)	78 (1,955)	30 (762)	325 (148)

*Includes 10.5" depth for snout

OPTIONS:

- SBB—Stainless steel front, sides, back and bottom
- SS—Stainless steel front and sides only
- Standard stainless liner
- Fully welded stainless steel liner (coved corners)
- Prison Package
- Bullet or flanged feet

AVAILABLE ACCESSORIES:

- Paddles
- Scoops
- Carts
- Bagging Kit
- Totes

Toll Free Phone: 1-800-346-3246 Local Phone: 303-761-1615 Fax: 303-789-1741

Email: sales@kloppenberg.com

Please send all PO's to purchaseorders@kloppenberg.com