



KLOPPENBERG

Quality is the Best Buy

ISE Advantage

Ice Storage, Dispensing & Transportation Equipment



1045SBB shown



Toll Free Phone: 1-800-346-3246

Local Phone: (303) 761-1615

Fax: (303) 789-1741

E-mail: klopco@kloppenberg.com

www.kloppenberg.com

9/6/2018

Printed in U.S.A.

Job _____

Item _____

48" Upright Bins

Model Number
1045
1315

Features

- Scoop style dispensing
- 1-1/2" foamed in-place polyurethane insulation
- Stainless steel baffle prevents ice overflow
- Sturdy bin structure
- Adjustable feet
- Factory installed 1" IPS plastic drain
- Tool-free snout installation
- Spring loaded door hinge
- Large ice removal opening
- Minimal silicone
- Coved drain without exposed silicone
- Transparent view windows
- FOB origin on all freight unless pre-approved

Options

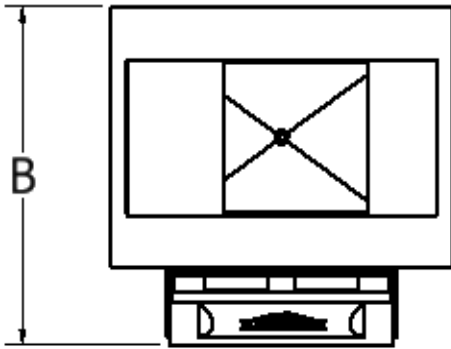
- Sleeves for additional capacity
- Private labeling
- Coved corners
- Security package
- Custom designs / applications

Model Number

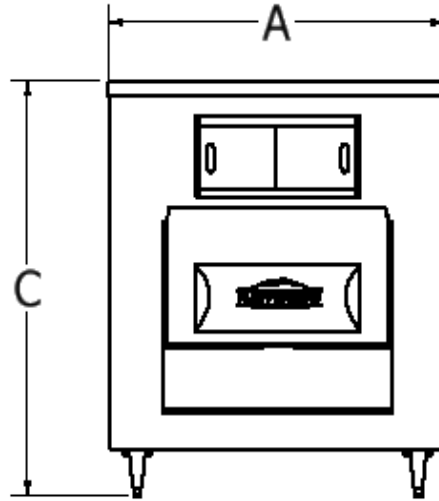
1045

1315

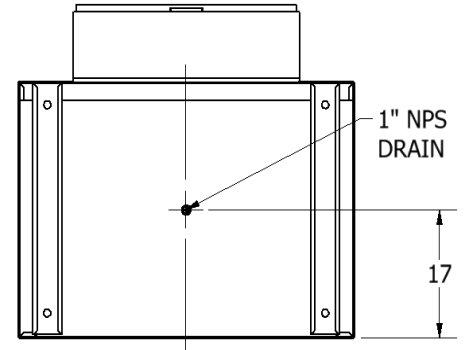
Upright Bins



TOP VIEW



FRONT VIEW



BOTTOM VIEW

Contact factory for details on CAD Symbols Library availability on this product

Model Number	Capacity lbs (kg)	A-Width in (mm)	B-Depth in (mm)	C-Height in (mm)	Minimum Door Clearance in (mm)	Ship Weight lbs (kg)
1045	1,161 (526)	48 (1,219)	44.5 (1,130)	55 (1,397)	36 (914)	280 (127)
1315	1,457 (660)	48 (1,219)	44.5 (1,130)	67 (1,701)	36 (914)	320 (145)

OPTIONS:

- SBB option has stainless steel front, sides, back and bottom
- SS option has stainless steel front and sides only
- Polyethylene or stainless steel liner
- Bullet or flanged feet

ACCESSORIES:

- Paddles
- Bagging Kit
- Scoops
- Totes
- Carts

Toll Free Phone: 1-800-346-3246

Local Phone: (303) 761-1615

Fax: (303) 789-1741

E-mail: klopco@kloppenber.com

www.kloppenber.com

Please send all PO's to purchaseorders@kloppenber.com

9/6/2018

Printed in U.S.A.