



Quality is the Best Buy

ISE Advantage

Ice Storage, Dispensing & Transportation Equipment



965SBB shown



Toll Free Phone: 1-800-346-3246

Local Phone: (303) 761-1615

Fax: (303) 789-1741

E-mail: klopco@kloppenberg.com

www.kloppenberg.com

10/3/2018

Printed in U.S.A.

Job _____

Item _____

36" Upright Bins

Model Number

965-SBB

Features

- Scoop style dispensing
- 1-1/2" foamed in-place polyurethane insulation
- Stainless steel baffle prevents ice overflow
- Sturdy bin structure
- Adjustable feet
- Factory installed 1" IPS plastic drain
- Tool-free snout installation
- Spring loaded door hinge
- Large ice removal opening
- Minimal silicone
- Coved drain without exposed silicone
- Transparent view windows
- FOB origin on all freight unless pre-approved

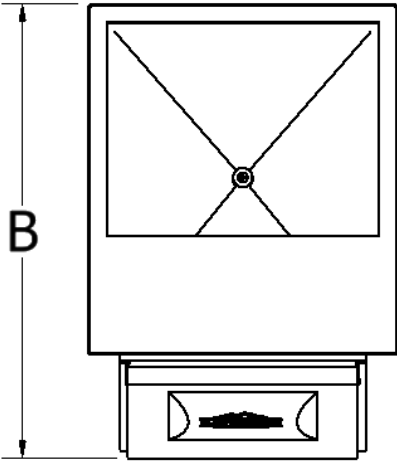
Options

- Sleeves for additional capacity
- Private labeling
- Coved corners
- Security package
- Custom designs / applications

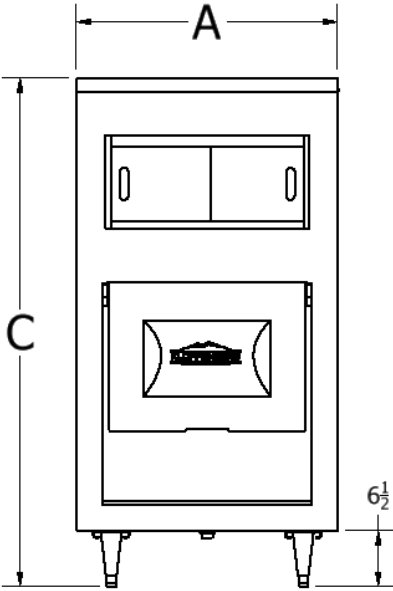
Upright Bins

Model Number

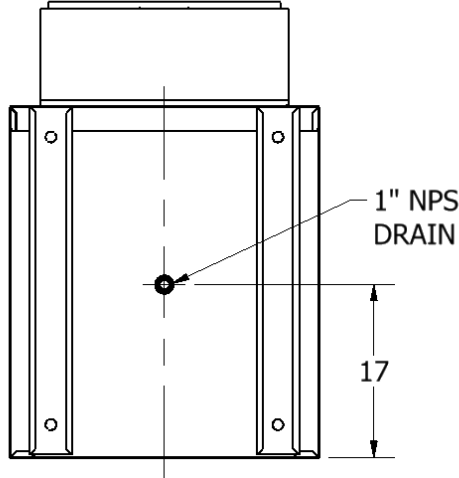
965-SBB



TOP VIEW



FRONT VIEW



BOTTOM VIEW

Contact factory for details on CAD Symbols Library availability on this product

Model Number	Capacity lbs (kg)	A-Width in (mm)	B-Depth in (mm)	C-Height in (mm)	Minimum Door Clearance in (mm)	Ship Weight lbs (kg)
965-SBB	1,069 (485)	36 (914)	44.5 (1,30)	67 (1701)	36 (914)	295 (134)

OPTIONS:

- SBB option has stainless steel front, sides, back and bottom
- Polyethylene or stainless steel liner
- Bullet or flanged feet

ACCESSORIES:

- Paddles
- Bagging Kit
- Scoops
- Totes
- Carts

Toll Free Phone: 1-800-346-3246 Local Phone: (303) 761-1615 Fax: (303) 789-1741

E-mail: klopco@kloppenber.com www.kloppenber.com

Please send all PO's to purchaseorders@kloppenber.com