



Quality is the Best Buy

ISE Advantage

Ice Storage, Dispensing & Transportation Equipment

Job _____
Item _____

30" Upright Bins



705SBB shown

Model Number
705
905

Features

- Scoop style dispensing
- 1-1/2" foamed in-place polyurethane insulation
- Stainless steel baffle prevents ice overflow
- Sturdy bin structure
- Adjustable feet
- Factory installed 1" IPS plastic drain
- Tool-free snout installation
- Spring loaded door hinge
- Large ice removal opening
- Minimal silicone
- Coved drain without exposed silicone
- Transparent view windows
- FOB origin on all freight unless pre-approved



Toll Free Phone: 1-800-346-3246

Local Phone: (303) 761-1615

Fax: (303) 789-1741

E-mail: klopco@kloppenberg.com

www.kloppenberg.com

Options

- Sleeves for additional capacity
- Private labeling
- Coved corners
- Security package
- Custom designs / applications

10/3/2018

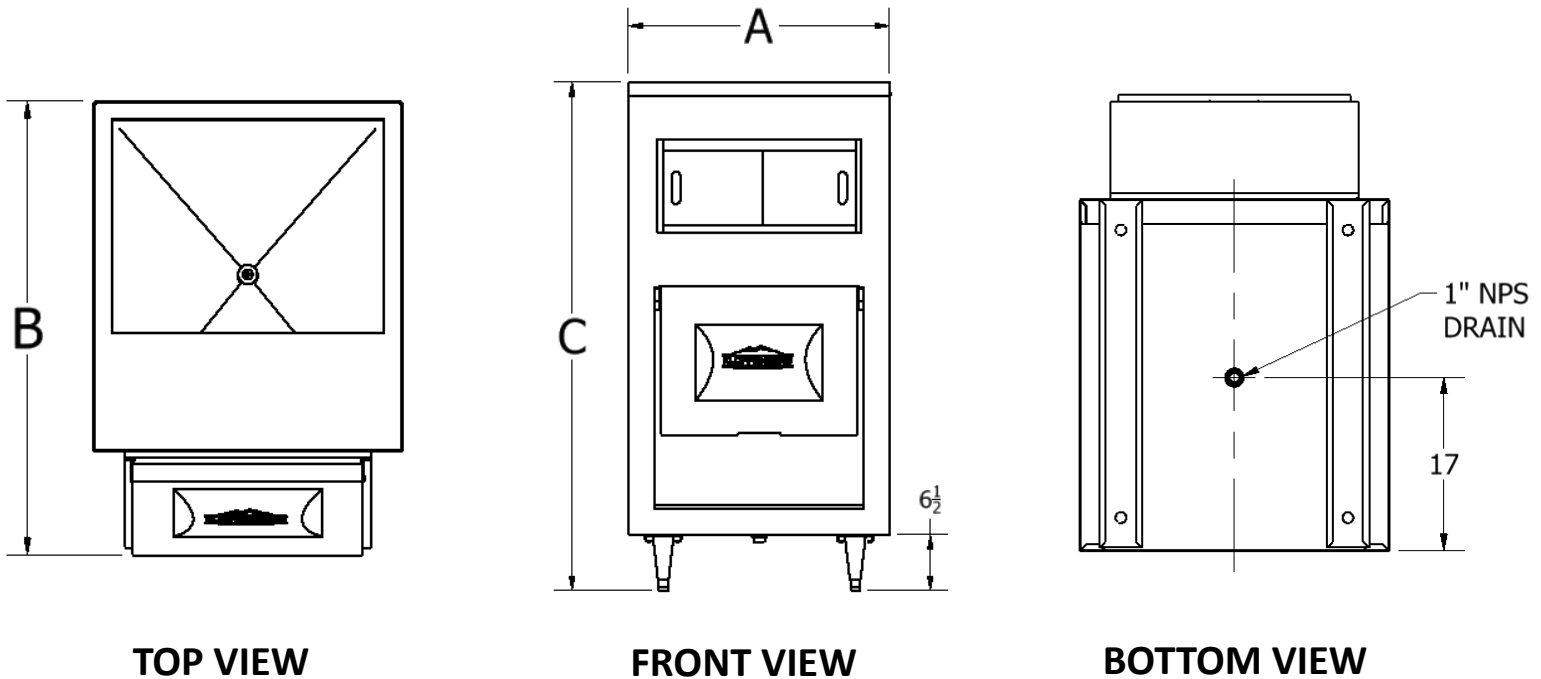
Printed in U.S.A.

Model Number

705

905

Upright Bins



Contact factory for details on CAD Symbols Library availability on this product

Model Number	Capacity lbs (kg)	A-Width in (mm)	B-Depth in (mm)	C-Height in (mm)	Minimum Door Clearance in (mm)	Ship Weight lbs (kg)
705	741 (336)	30 (762)	44.5 (1,130)	58 (1,473)	32 (813)	240 (108)
905	1,023 (464)	30 (762)	44.5 (1,130)	78 (1,955)	32 (813)	285 (130)

OPTIONS:

- SBB option has stainless steel front, sides, back and bottom
- SS option has stainless steel front and sides only
- Polyethylene or stainless steel liner
- Bullet or flanged feet

ACCESSORIES:

- Paddles
- Bagging Kit
- Scoops
- Totes
- Carts

Toll Free Phone: 1-800-346-3246 Local Phone: (303) 761-1615 Fax: (303) 789-1741

E-mail: klopco@kloppenber.com www.kloppenber.com

Please send all PO's to purchaseorders@kloppenber.com

10/3/2018

Printed in U.S.A.