



Quality is the Best Buy

ISE Advantage

Ice Storage, Dispensing & Transportation Equipment

Job _____
Item _____

Sloped Front



K825 shown

Model Number
K32
K225
K575
K825
K975

Features

- Scoop style dispensing
- Complete stainless steel construction
- Stainless steel baffle behind door prevents ice overflow
- Includes a stainless scoop
- Adjustable flanged feet
- Factory installed 1" IPS plastic drain
- All systems are shipped fully assembled
- FOB origin on all freight unless pre-approved



Options

- Private labeling
- Security package
- Custom designs / applications

Toll Free Phone: 1-800-346-3246

Local Phone: (303) 761-1615

Fax: (303) 789-1741

E-mail: klopco@kloppenberg.com

www.kloppenberg.com

Applications

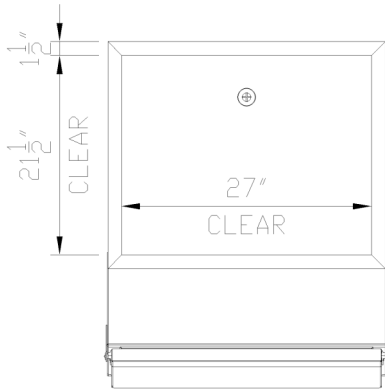
- Commercial
- Restaurants
- Tight Spaces
- Specialty Beverage Houses

9/6/2018

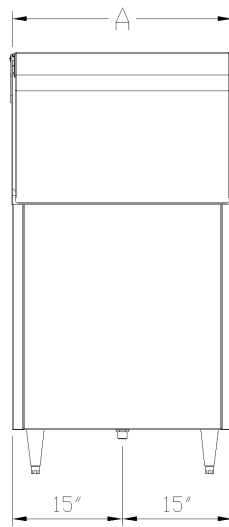
Printed in U.S.A.

Model Number
K32
K225
K575
K825
K975

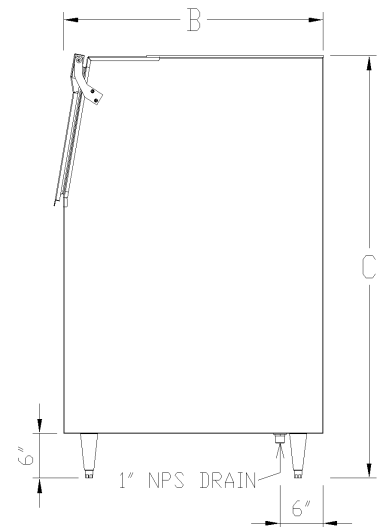
Sloped Front



TOP VIEW



FRONT VIEW



SIDE VIEW

Contact

factory for details on CAD Symbols Library availability on this

Model Number	Capacity lbs (kg)	A-Width in (mm)	B-Depth in (mm)	C-Height in (mm)	Minimum Door Clearance in (mm)	Ship Weight lbs (kg)
K32	295	22	34	38	24	180
K225	419	30	34	38	32	150
K575	488	30	34	44	32	255
K825	814	48	34	44	36	260
K975	886	52	34	44	36	290

OPTIONS:

-Bullet or flanged feet

ACCESSORIES:

-Bagging kit -Carts
 -Paddles -Totes

Toll Free Phone: 1-800-346-3246 Local Phone: (303) 761-1615 Fax: (303) 789-1741

E-mail: klopco@kloppenberg.com www.kloppenberg.com

Please send all PO's to purchaseorders@kloppenberg.com

9/6/2018

Printed in U.S.A.