

By locating the water and ice in one location, water containers are easier to fill, without all the transportation and employee downtime of seeking to quickly fill containers with water and ice.

Hydration Station Ice & Water Dispenser



Model Number
DISP-500-IND



Toll Free Phone: 1-800-346-3246

Local Phone: 303-761-1615

Fax: 303-789-1741

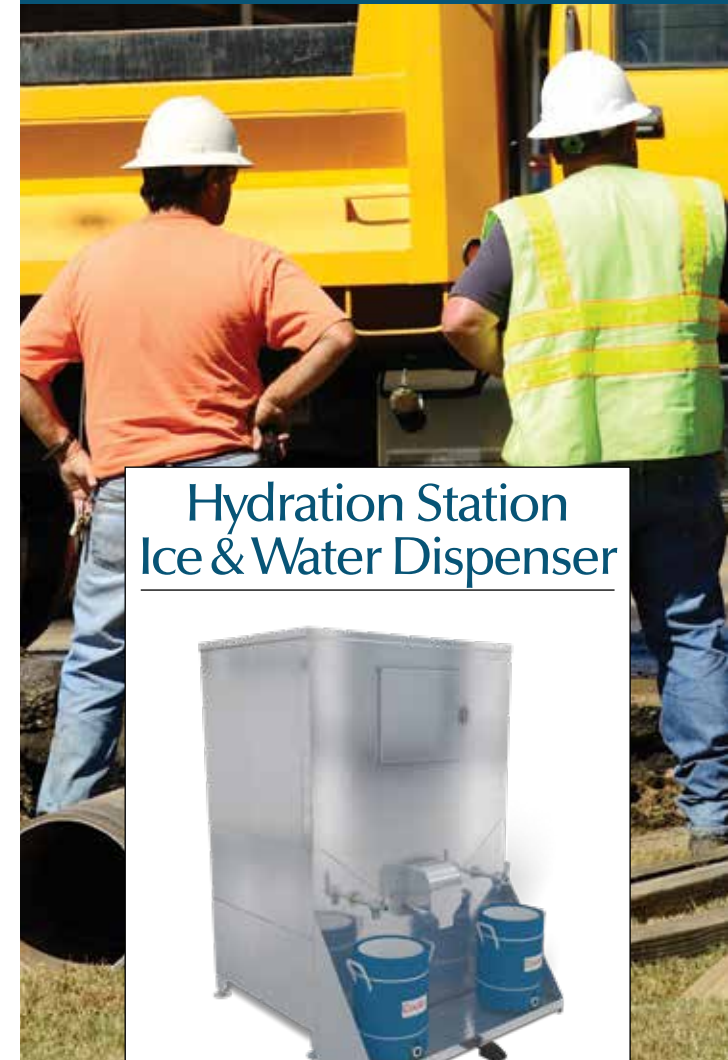
E-mail: dfowler@kloppenber.com

Please send all PO's to:

purchaseorders@kloppenber.com



Simply the Best Way to Protect
Workers from Heat Stress



Hydration Station Ice & Water Dispenser



- Provides Water & Ice at One Location
- Easy to Use & Ships Fully Assembled
- Helps Prevent De-Hydration



Quality is the Best Buy

www.kloppenber.com

Printed in U.S.A.



Quality is the Best Buy

Hydration Station Ice & Water Dispenser

Packed with features, this easy-to-use hydration station meets all of OSHA and California's T8CCR-3395 requirements to help protect your workers from heat stress. By locating the water and ice in one location, water containers are easier to fill, without all the transportation and employee downtime of seeking to quickly fill containers with water and ice.



Custom Specifications Available

Like all of Kloppeberg's stainless steel products, we know that one size doesn't fit all. That's why the Hydration Station is available to fit your specifications. Whether it needs to be an inch wider or a bit shorter – we are ready to meet your unique specifications. Contact us for more information or a free estimate.

Wherever Your Workers Need to Re-Hydrate

Whether your employees work in construction, an amusement park, or the public works department, this unit can be located strategically anywhere there is electricity. No longer do employees need to look for where to fill the water containers and how to attain ice. The Hydration Station is perfect for any company or municipality that must protect workers from heat stress by keeping them hydrated.



Hydration Station Applications

- Factories/Manufacturing
- Mining
- Farming
- Sports Venues
- Golf Courses
- Public Works
- Construction Sites



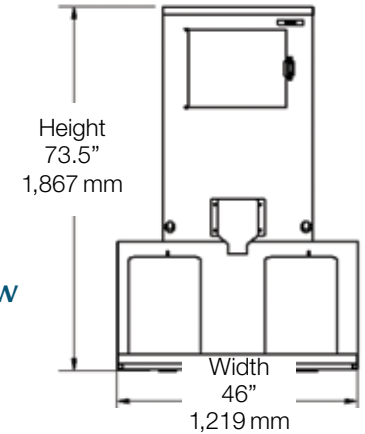
Model Number
DISP-500-IND

Also available in a 1000 lbs & 2000 lbs size

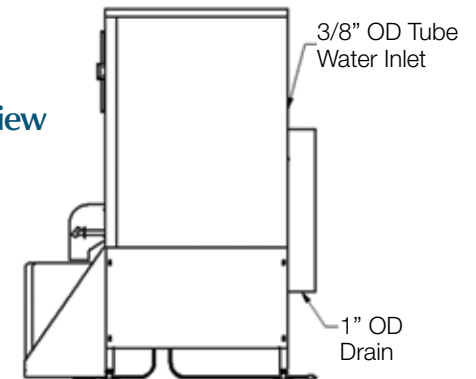
Capacity
637 lbs
293 kg

Ship Weight
550 lbs
249 kg

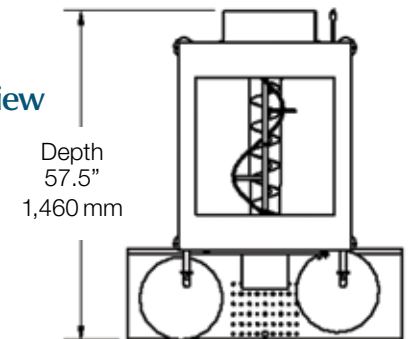
Front View



Side View



Top View



Standard-Sized Features

- On-demand ice dispensing
- Two water spigot stations
- Water inlet connection for spigots & ice maker
- Fully-welded stainless steel auger
- Fully-welded stainless steel agitator(s)
- 1/2HP motor(s) with torque overload & recovery
- 120-volt, single phase, 15-amp power 50/60 hz
- Foot pedal activated
- Sturdy bin structure
- Adjustable feet
- First in, first out ice
- Factory installed drain
- Fully welded base frame
- All units are shipped fully assembled

Standard-Sized Options

- Stainless steel or poly liner
- Bullet or flanged feet
- Timed dispensing
- Timed agitation
- Power conversion
- Private labeling
- Covered corners included with poly liner only
- Security package
- Customization available