



ICE STORAGE & HANDLING



The Kloppenberg Advantage



Competitive Value...Always



2010

Ice Storage Products

**Shuttle Plus Storage Systems / Ice Dispensers / Ice Carts
Single Door Upright Bins / Double Door Upright Bins
ICE FILL STATIONS**

2627 W Oxford Avenue. Englewood, CO 80110
Phone (303) 761-1615 / Toll Free: (800) 346-3246 / Fax (303) 789-1741
www.kloppenberg.com

Kloppenberg Single Door Uprights



Seamless liners exclusive to Kloppenberg !

Kloppenberg Single Door Upright Features:

Height includes 6" adjustable legs and 1" for top closures. Add 10 1/2" to depth after install for snout/door assembly. Poly snout(s) and set(s) of sliding view windows are tool-free install. Dimensions shown in inches and pounds. Application capacity is determined as 90% of total interior volume in cubic feet x 34 lb./ cu. ft. avg. Ice density. Shipping weights are approximate and variable. FOB origin on all freight unless pre-approved arrangements are made on a per order basis. Stainless Steel tops built to match ice maker included in price for all S/S lined bins (Incl. 705 and 905 models). Please state ice maker to be used at time of order. All models equipped with adjustable bullet and/or flanged feet.



SBB Stainless steel front, sides, back and bottom
 SS Stainless steel front and sides

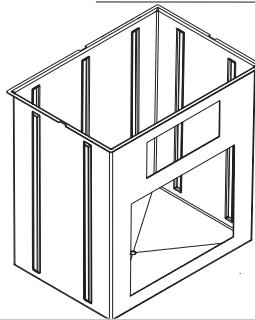
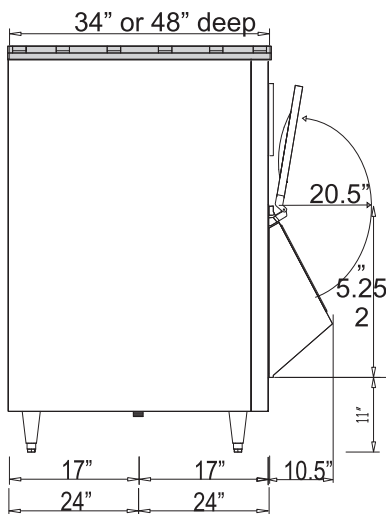
Equipped with a standard reinforced ABS top that will accommodate ice maker
 Please call for special application requirements

Model Capacity Width Depth Height Ship weight

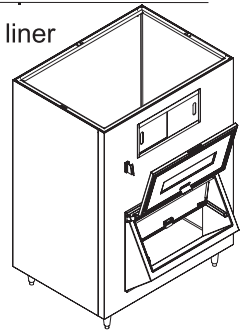
705-SS	741	30	34	58	240
705-SBB	741	30	34	58	240
905-SS	1023	30	34	77	285
905-SBB	1023	30	34	77	285

1045-SS	1161	48	34	55	280
1045-SBB	1161	48	34	55	280
1315-SS	1457	48	34	67	320
1315-SBB	1457	48	34	67	320

1325-SS	1471	60	34	55	310
1325-SBB	1471	60	34	55	310
1665-SS	1846	60	34	67	370
1665-SBB	1846	60	34	67	370



*Above units have a seamless poly liner



More single door upright models

Model	Capacity	Width	Depth	Height	Weight
965-SBB	1069	36	34	67	295
1915-SBB	2180	60	48	56	400
2415-SBB	2725	60	48	68	525

1 1/2" Foamed-in place polyurethane insulation
 Convenient snout door spring latch
 S/S ice baffle behind door prevents ice overflow
 Clear polycarbonate sliding view windows
 Factory installed 1" IPS plastic drain
 S/S tops are fully gasketed, reinforced,
 and cut to ice maker of choice

Kloppenberg Double Door Uprights



Kloppenberg Double Door Upright Features:

All stainless steel

- 1 1/2" Foamed-in place polyurethane insulation
- Convenient snout door spring latch
- S/S ice baffle behind door prevents ice overflow
- Clear polycarbonate sliding view windows
- Factory installed 1" IPS plastic drain
- S/S tops are fully gasketed, reinforced,



Capacities Range from 1818lbs. to 6500lbs.

Model	Capacity	Width	Depth	Height	Ship Weight
1455	1818	72	34	56	470
2215	2576	72	34	76	625
2115	2639	72	48	56	600
3225	3739	72	48	76	785
4325	4839	72	48	96	980
2845	3557	96	48	56	730
4345	5039	96	48	76	1200
5835	6522	96	48	96	1300

Sleeves are w x d x 20h" and have a view window
Sleeves can be customized to add height, special doors and more
Sleeves shipped separate.

Ice maker(s) that weigh over 800#'s each may require additional reinforcement. Call for quote.

Kloppenberg has full custom capabilities
Please accompany custom quote requests with detailed drawings or specifications.

Options



Prison Package/Anti-Vandalism Package (quotes available on request)
Both single and double door units are available with these options;
Either is available individually or as a package

20 ga. stainless steel liner (either seamed or fully welded)
(24 ga. standard)

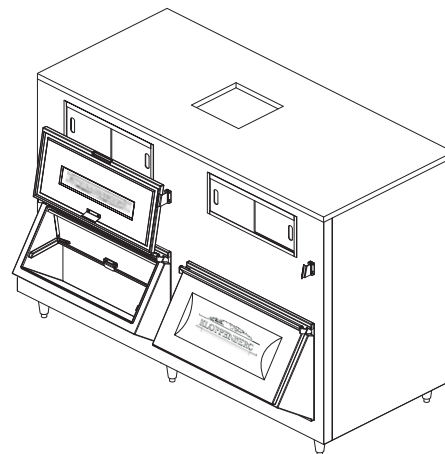
all S/S snout & Lockable door

S/S top Closure

6" S/S bolt down flanged legs

S/S view window cover plate with security screws
for authorized removal

Corrosion Resistant Coating above ice fill line



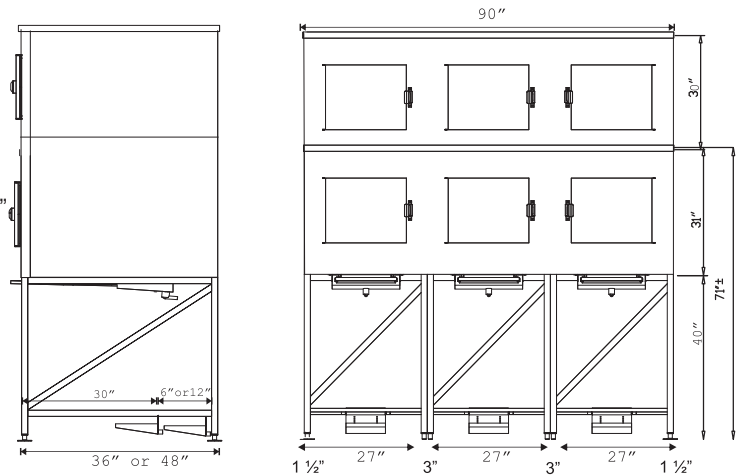
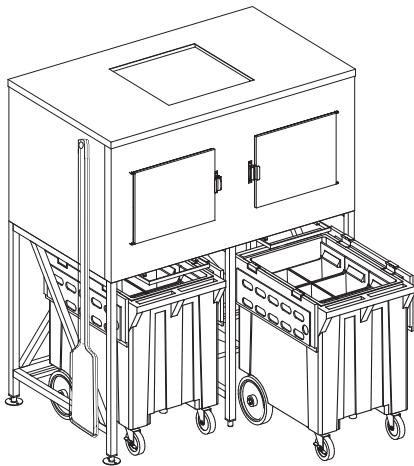
Kloppenberg Shuttle Plus Storage Systems



Shipped fully assembled-just unpack, clean, sanitize and it's ready for use!

Cart quantity equals the numeric model number.
 Capacities shown include cart capacity.
 Each Shuttle system is shipped with a 48" ice Paddle.*
 Capacities & crated weights include the cart(s) and are variable.
 All shuttles shipped fully assembled, sleeves are shipped separately.
 Measurements shown in inches and pounds.

SL denotes extended SLEEVE - increases capacity by height ranging from 12" - 30"
 G denotes GIANT - increases capacity by adding 12" to the depth of the unit.



Model	Capacity	Width	Depth	Height	Weight
One Cart Models					
SPS-1	500	30	36	65	320
SPS-1-G	900	30	48	82	370
Two Cart Models					
SPS-2	1500	60	36	71	530
SPS-2-SL	2500	60	36	92	690
SPS-2 Sleeve only	730	60	36	21	180
SPS-2-G	1800	60	48	71	740
SPS-2-G-SL	3000	60	48	101	960
SPS-2G Sleeve Only	1200	60	48	30	280
Three Cart Models					
SPS-3	2000	90	36	71	950
SPS-3-SL	3400	90	36	101	1190
SPS-3 Sleeve Only	1400	90	36	30	400
SPS-3-G	2400	90	48	71	1100
SPS-3-G-SL	4300	90	48	101	1570
SPS-3G Sleeve Only	1700	90	48	30	500

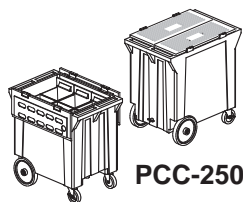
Pricing includes cart(s) and 48" paddle *(60" available).
 Include standart cart(s) equal to madel number

CARTS

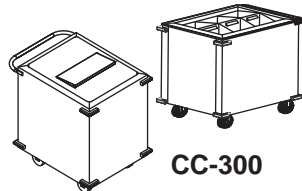
All Poly Standard Cart
 10" Rear Rigid Castors
 4" Front Swivel Castors
 Hinged center to side drop lid
 Foot operated rear drain
 Handles on both ends of cart

*Poly Totes come in a set of 6.

S/S Exterior Classic Cart
 Seamless poly-insulated liner
 Serving style hinged lid
 5" Front Swivel Castors
 5" Rear Fixed Castors w/Brake
 Rubber corner bumper guards



PCC-250



CC-300

Model	Capacity	Width	Depth	Height	Weight
PCC-250	250	22	30	38	100
CC-300	300	24	30	38	130
Totes*		8	9	14	4



Kloppenbergl Ice Fill Station



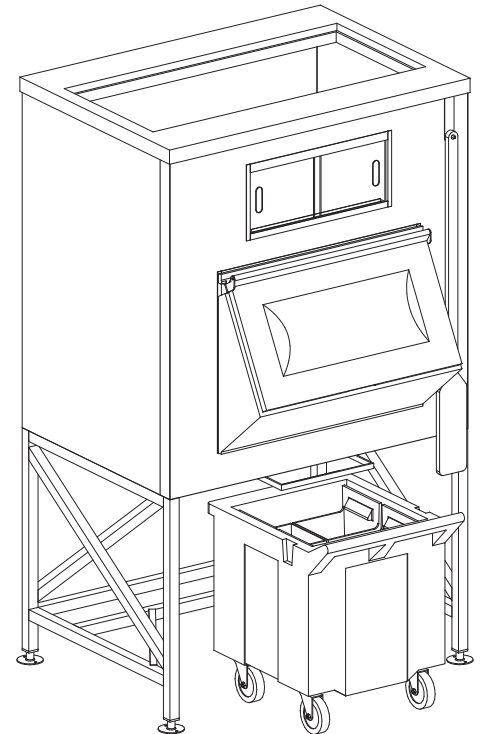
Quickly and easily provides ample and sanitary ice

- Adjustable flanged feet
- Front access poly door 32" w x 18.5" h
- Insulated polyethylene snout
- Spring loaded door latch
- Sloped interior walls
- Base is stainless steel 1.5" sq tubing

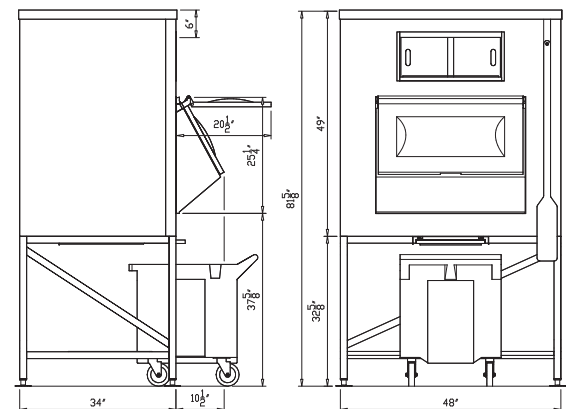
Designed for versatility to meet all needs
Sloped interior walls eliminate raking
New paddle slot for easy ice break up

Model	Capacity	Width	Depth	Height	Weight
Single Cart 125# Models					
IFS900-125	1069	36	34	93.5	360
IFS1000-125	1161	48	34	81.5	380
IFS1200-125	1457	48	34	93.5	420
IFS1300-125	1471	60	34	81.5	460
IFS1600-125	1846	60	34	93.5	510
IFS1800-125	2180	60	48	82.5	555
IFS2300-125	2725	60	48	94.5	610
Single Cart 250# Models					
IFS900-250	1069	36	34	101	380
IFS1000-250	1161	48	34	89	400
IFS1200-250	1457	48	34	101	440
IFS1300-250	1471	60	34	89	480
IFS1600-250	1846	60	34	101	530
IFS1800-250	2180	60	48	90	575
IFS2300-250	2725	60	48	102	630
Two Cart 125# Models					
IFS1700-125	1818	72	34	82.5	665
IFS2400-125	2576	72	34	102.5	775
IFS2500-125	2639	72	48	82.5	780
IFS2700-125	3739	72	48	102.5	920
IFS3500-125	3557	96	48	82.5	825
IFS3400-125	5039	96	48	102.5	1260
IFS4800-125	6522	96	48	122.5	1350
Two Cart 250# Models					
IFS1700-250	1818	72	34	82.5	685
IFS2400-250	2576	72	34	102.5	875
IFS2500-250	2639	72	48	82.5	800
IFS2700-250	3739	72	48	102.5	940
IFS3500-250	3557	96	48	82.5	845
IFS3400-250	5039	96	48	102.5	1280
IFS4800-250	6522	96	48	122.5	1370

Allow 10" in front for snout / door after install
 Height includes 32.5" h square tube base
 Standard ABS Top for 34" deep units
 Call 1-800-346-3246 for special applications
 All units shipped with cart(s), scoop and paddle



Cart Bay equipped with corner guides
 Hopper and cart drain into floor drain
 Hoppers are 34" or 48" deep
 Sleeves fit to hopper, shipped separately



Model # IFS1000-125



ETL Certified Ice Storage Dispensers



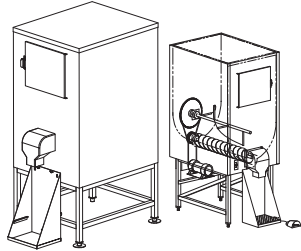
Dispense at the rate of 2 lbs. per second

Kloppenberg Ice Storage dispenser Features:

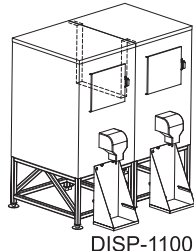
Adjustable bullet feet (flanged feet and adjustable casters available)
S/S auger / agitator, 1/2hp Motor with torque overload/recover, chain driven,
24v foot pedal activated, 1 1/2" sq. S/S tubing base,
adjustable bag shelf for 8-12# bags, easily modified for 20# bags.



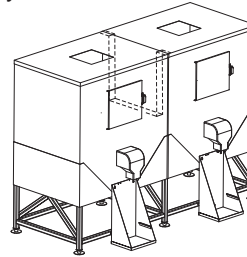
8.4amp/115v/60hz/1phase



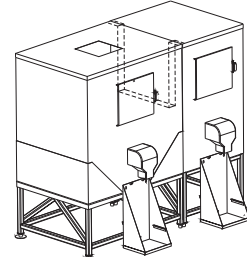
DISP-500



DISP-1100
DISP-500+500



DISP-1000+1000

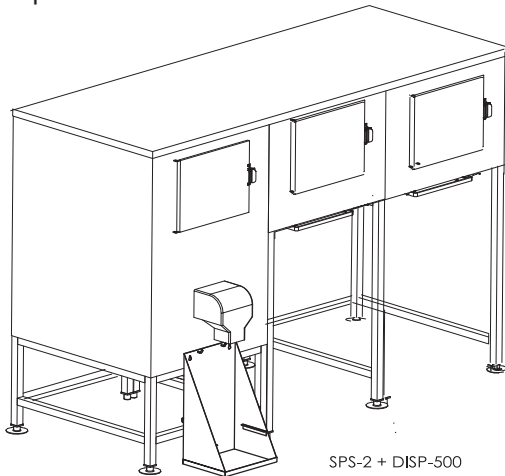


DISP-1000+500

Overall height includes 1" for closure
Depth is hopper only dimension
Front ice access door 20" w x 16" h
Base from floor is 22"
Add 5 1/2" in back for chain guard
(6.5" on Disp 1000)
Allow no less than 12" min. for service access
8" projection in front for ice chute
Chute opening is 4 x 4"

Model	Capacity	Width	Depth	Height		Overall	Ship weight
				Hopper			
Disp-500	647	30	36	49	71	510	
Disp-1000	1078	48	36	49	71	590	
Disp-1100	1366	60	36	49	71	930	

Combine Dispenser Model with SPS Models with a Universal Top



SPS-2 + DISP-500



ALSO AVAILABLE

Call For Quotes for:

Prison/Anti-Vandalism Packages (complete or partial)
Bin or Top Reinforcement
Corrosion Resistant Coating Above Ice Fill Line
Custom Modifications
Fully Welded seams

Space Saver Shovel Door
60" Heavy Duty Ice Paddle
Flanged bolt down feet
Adjustable castors with brake
White Plastic Shovel

Kloppenberg has full custom capability

Please accompany custom quote requests with detailed drawings or specifications.

Slope Front Bins



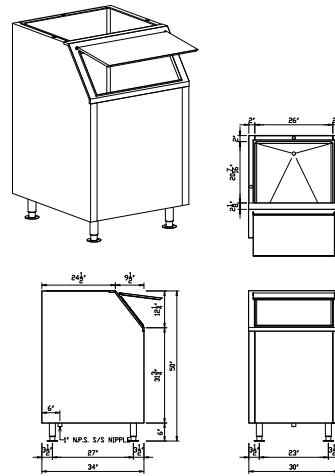
K-975 Shown



K-32 Shown

Model	Capacity	Width	Depth	Height	Ship weight
K-32	130	32	28	41	145
K-225	225	30	30	28	105
K-575	575	30	34	50	185
K-975	975	48	34	50	230

Reintroducing Kloppenberg Slope Front Bins



K-575 Shown

ALSO AVAILABLE

Call for Quotes for:

- Prison/Anti-Vandalism Packages-(complete or partial)Call for quote
- Bin or Top Reinforcement
- Corrosion Resistant Coating Above Ice Fill Line
- Custom Modifications
- Marine Bins
- Fully welded seams

- Space Saver Shovel Door
- 60" Heavy Duty Ice Paddle
- Flanged bolt down feet
- Adjustable castors with brake
- White Plastic Ice Shovel

Kloppenberg has full custom capability

Please accompany custom quote requests with detailed drawings or specifications.



Lifetime Warranty

Kloppenberg warrants to the original purchaser that it will repair or replace at its own cost and discretion the following Lifetime product models of its manufacture bearing the name Kloppenberg due to a factory defect in material and/or workmanship exclusive to the polyethylene liner and stainless steel bin cabinet:

UPRIGHT MODELS

1045-SS 1045-SBB 1315-SS 1315-SB 1325-SS 1325-SBB 1665-SS 1665-SBB

ICE SHUTTLE SYSTEM

SPS-1 SPS-1G SPS-2 SPS-2-SL

Kloppenberg Lifetime products must be installed, adjusted and maintained in accordance with the procedures set forth in the Maintenance Instructions and General Conditions provided with each unit to qualify for subject warranty.

Obligations of Kloppenberg are exclusively limited to the original purchaser / registered owner and does not cover any parts or extrusions of any kind on any Lifetime Product.

All decisions regarding defects in material, workmanship, accident, alteration, misuse, improper maintenance or installation shall be made by Kloppenberg and Company and shall be final and binding upon both parties.

All claims must submitted directly to Kloppenberg and are exclusively limited to the original purchaser.

Lifetime warranty products must be registered with Kloppenberg within 30 days of invoiced ship date by the owner/end user to include but not limited to unit model number, serial number, original date of installation customer and original purchaser information

.Claims for shipments that are damaged are not covered by warranty and must be handles through the carrier.

Kloppenberg assumes no liability for warranted poly liner or cabinet conditions that do not result in an inoperable and unusable state.

The foregoing warranty shall not apply to cosmetic damage, punctures or any outside or internal damage from resulting from foreign objects.

Kloppenberg does not warrant incidental or consequential damages of any kind resulting in whole or in part from misuse or inadequate maintenance of the product or any part thereof.

Kloppenberg assumes no liability for damage of any kind that is a result of alteration or use parts that are not manufactured or approved in writing by Kloppenberg.

This warranty is applicable only in the United States and Canada.

Kloppenberg strongly advises that a pre-determination for any warranty be made by direct contact with Kloppenberg before any service has been called or completed.

2627 W Oxford Ave Englewood, CO 80110 800-346-3246 303-761-1615 303-789-1741